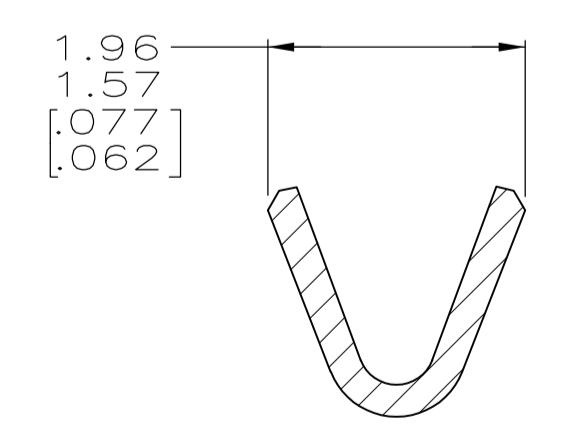
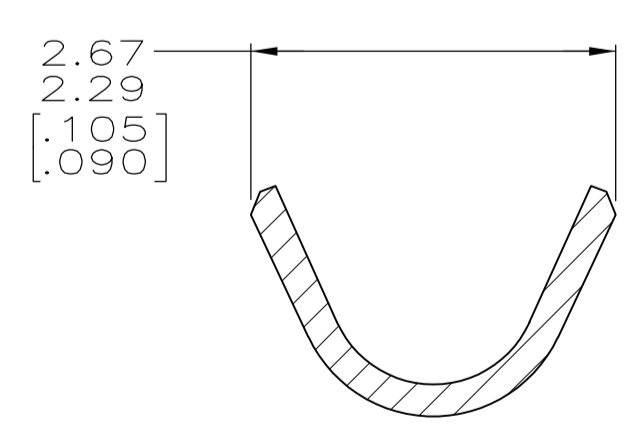
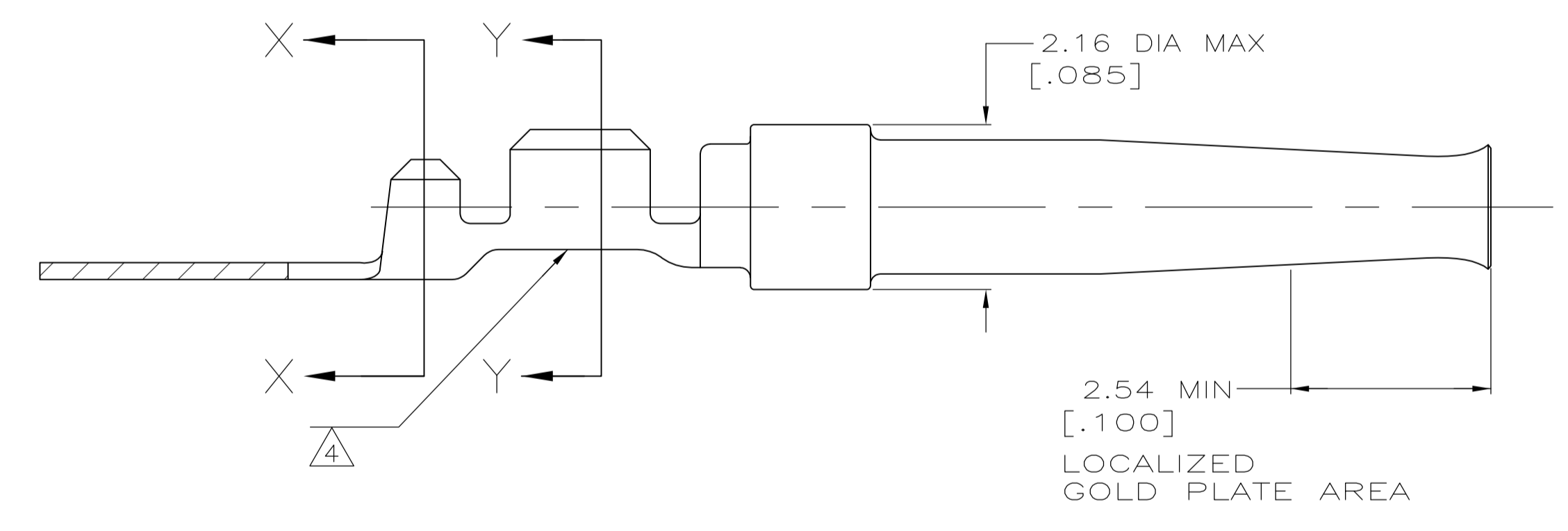


- 1 FOR MINI-APPLICATOR CRIMPING.
- 2 WIRE RANGE IS 22-26 AWG AND INSULATION RANGE IS 1.02/1.27 [.040/.050].
- 3 PLATED WITH 0.76μm [.000030] GOLD ON INSIDE OF LOCALIZED GOLD PLATE AREA, 2.54μm [.000100] TIN ON CRIMP BARRELS, ALL OVER 1.27μm [.000050] NICKEL UNDERPLATE.  
-OR-  
GOLD FLASH OVER PALLADIUM-NICKEL 0.76μm [.000030] TOTAL ON INSIDE OF LOCALIZED GOLD PLATE AREA, 2.54μm [.000100] TIN ON CRIMP BARRELS, ALL OVER 1.27μm [.000050] NICKEL UNDERPLATE.
- 4 COLOR CODE YELLOW IN THIS AREA INDICATES 22-26 AWG WIRE RANGE. ONLY LOOSE PIECE PART NUMBERS ARE COLOR CODED.
- 5 TIN PLATING MAY NOT APPEAR ON CARRIER STRIP.
- 6 GOLD FLASH ON INSIDE OF LOCALIZED PLATE AREA, 2.54μm [.000100] TIN PLATED ON CRIMP BARRELS, ALL OVER 1.27μm [.000050] NICKEL UNDERPLATE.



STANDARD	6	STRIP	1	1658543-3
STANDARD	3	STRIP	1	1658543-2
STANDARD	3	LOOSE PIECE		1658543-1
PACKAGING TYPE	FINISH	TYPE	PART NUMBER	

THIS DRAWING IS A CONTROLLED DOCUMENT.

DIMENSIONS: INCHES	TOLERANCES UNLESS OTHERWISE SPECIFIED:	DIN	11-17-04	Tyco Electronics Corporation Harrisburg, PA 17105-3608
		EN	11-17-04	
	0 PLC ± -	DESIGNER	L. VARELA - DOCKS	Tyco Electronics
	1 PLC ± -	CHK	J. GFRACE	
	2 PLC ± 0.13 [.005]	APP'D	M. WALMSLEY	
	3 PLC ± -	NAME	M. WALMSLEY	
	4 PLC ± -	PRODUCT SPEC	108-40005	SOCKET CONTACT, 20 DF, 22-26 AWG, AMPLIMITE
	ANGLES ± °	APPLICATION SPEC	114-10000	
MATERIAL: PHOS BRONZE	FINISH: SEE TABLE	SIZE	A1	CUSTOMER DRAWING
		WEIGHT	00779	
		SCALE	15:1	SHEET 1 OF 1
		REV	D	